

 Australia
 Taiwan
 UK

Tiger Lifting 
www.tigerlifting.com **Tiger**
Home of the Tiger hoisting range & Tiger subsea lifting products

Tiger Trolley



20t Geared Trolley



3t Plain Trolley

Main Features

- Tiger trolleys are designed to provide smooth and easy traversing
- The anti-drop plates design ensures extra safety, and also prevents damage to wheels when contacting end rail stoppers
- Wheels run on sealed ball bearings for smoother rolling with less effort and maintenance
- Twin bar or single bar trolleys available
- Geared type available
- Plain Trolley Range from 0.5t to 10.0t
- Geared Trolley Range from 0.5t to 20.0t
- Extended beam width available
- Corrosion or Spark Resistant versions available



These units meet and exceed all the requirements within BS EN 13157: 2004+A1:2009 and AS1418.2.

Certification:

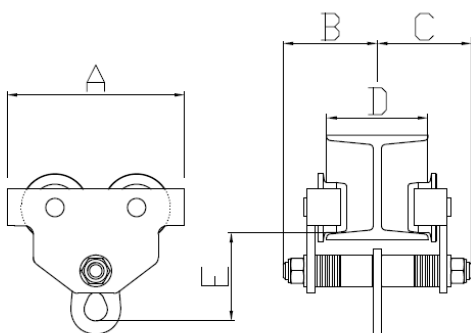
Each unit comes fully certified with a test certificate or an EC Declaration of Conformity stating compliance with the essential health and safety requirements of the Machinery Directive 2006/42/EC.

Single Bar Trolleys

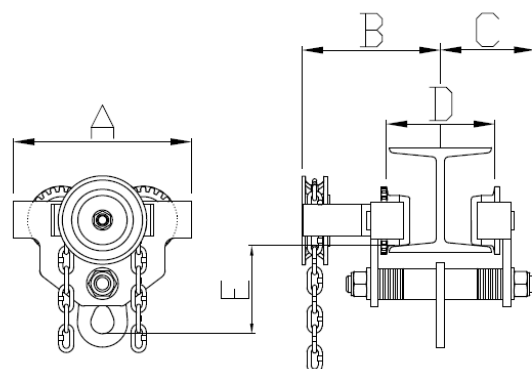
Technical Data

Product Code	Capacity (tonne)	D Track width range 1 (mm)	D Track width range 2 (mm)	Test Load (tonne)	Dimensions (mm)			Min. curve ratio (m)	Plain trolley		Geared trolley		
					A	C	E		B (mm)	Mass (kg)	B (mm)	Hand chain length (m)	Mass (kg)
TPS-0050 TGS-0050	0.5	62-128	62-203	0.75	195	106	98	0.8	106	5.0	165	2.5	8.9
TPS-0100 TGS-0100	1.0	62-128	62-203	1.5	213	113	106	1.0	113	7.3	170	2.5	11.1
TPS-0200 TGS-0200	2.0	88-154	88-230	3.0	236	136	132	1.3	136	12.0	182	2.5	16.3
TPS-0300 TGS-0300	3.0	88-154	88-230	4.5	277	146	150	1.5	146	19.0	187	2.5	23.3
TPS-0500 TGS-0500	5.0	106-194	106-305	7.5	323	169	174	1.5	169	30.0	210	2.5	34.3

Technical Drawings – Single Bar Trolleys



Plain Single Bar Trolley



Geared Single Bar Trolley



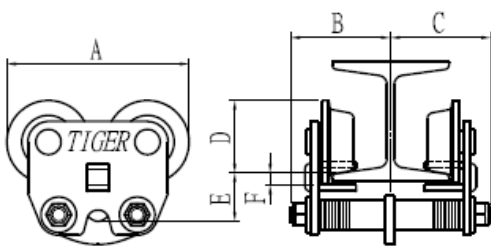
Twin Bar Trolleys

Technical Data

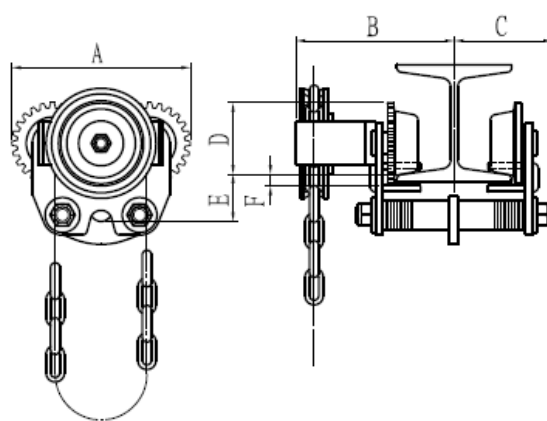
Product Code	Capacity (tonne)	Track width range 1 (mm)	Track width range 2 (mm)	Test Load (tonne)	Dimensions (mm)					Min. curve ratio (m)	Plain trolley		Geared trolley		
					A	C	D	E	F		B (mm)	Mass (kg)	B (mm)	Hand chain length (m)	Mass (kg)
TPT-0050 TGT-0050	0.5	62-128	62-203	0.75	179	109	70	49	16	0.8	109	5.9	168	2.5	9.8
TPT-0100 TGT-0100	1.0	62-128	62-203	1.5	195	111	79	50	16	1.0	111	7.9	178	2.5	11.8
TPT-0200 TGT-0200	2.0	88-154	88-230	3.0	235	134	95	70	19	1.3	134	12.7	184	2.5	17
TPT-0300 TGT-0300	3.0	88-154	88-230	4.5	263	145	111	79	19	1.5	145	21.4	184	2.5	25.7
TPS-0500 TGT-0500	5.0	106-194	106-305	7.5	307	169	133	88	27	1.5	169	34.5	206	2.5	39.5
TPT-1000 TGT-1000	10.0	150-320		15.0	429	252	183	240	40	2.7	252	135.5	327	2.5	150.0
TGT-2000	20.0	150-320		25.0	910	255	182	270		6.0	337	294.5	337	2.5	310.0

(0.5t-2t twin bar available as special orders)

Technical Drawings – Twin Bar Trolleys 0.5t – 10.0t



Plain Twin Bar Trolley



Geared Twin Bar Trolley

-  Australia
-  Taiwan
-  UK

Tiger Lifting

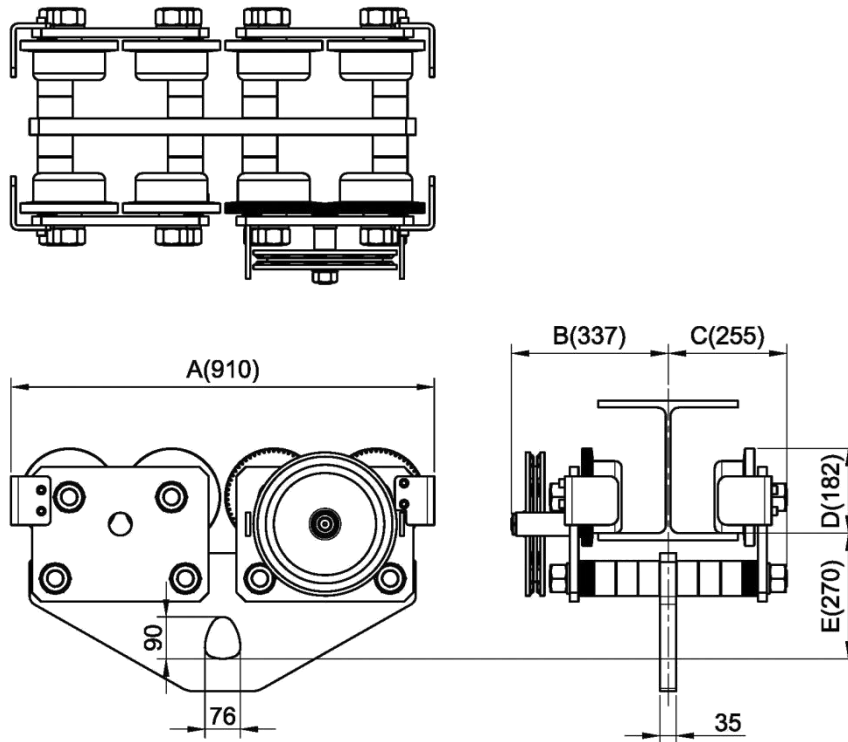


www.tigerlifting.com

Tiger

Home of the Tiger hoisting range & Tiger subsea lifting products

Technical Drawings – Geared Twin Bar Trolley 20.0t





-  Australia
-  Taiwan
-  UK

Tiger Lifting



www.tigerlifting.com

Tiger

Home of the Tiger hoisting range & Tiger subsea lifting products

Photo Gallery



20t geared trolley



10t geared trolley (rear)



3t geared trolley



Spark Resistant option

Due to our policy of continual product development, dimensions, weights and specifications may change without prior notice. Please check with your Tiger sales team when ordering.

