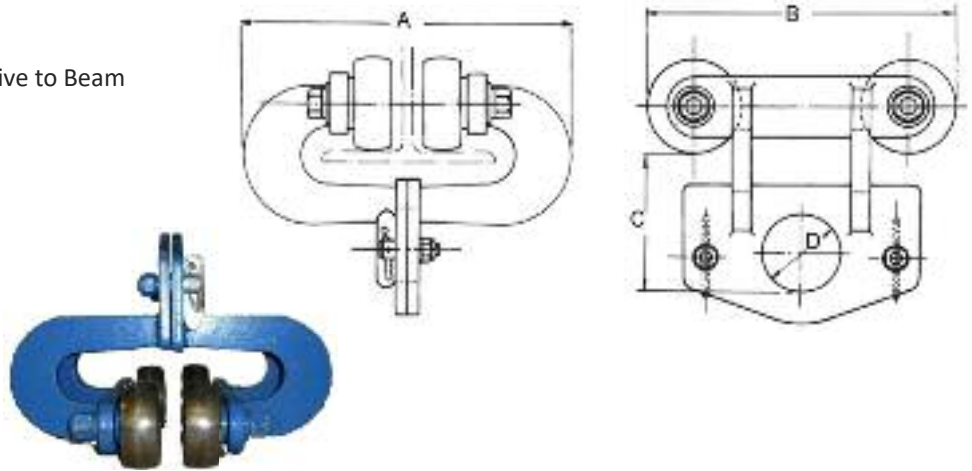


# TROLLEYS AND CLAMPS

## SAFLOK TROLLEYS

Saflok Trolleys are a lightweight alternative to Beam Trolleys.

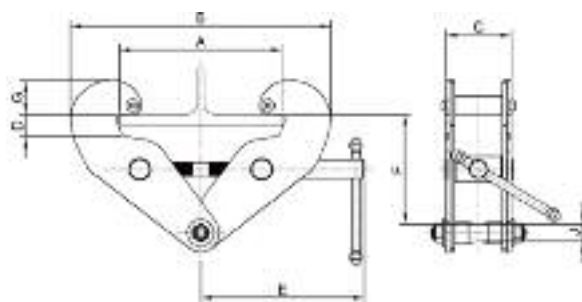
- Range from 500kg to 5 Tonne
- Lightweight and easy to install
- To suit beams up to 250mm (5 Tonne)



Capacity (kg)	Weight (kg)	Beam Width (mm) Min - Max	Dimensions (mm)			
			A	B	C	D
500	5.4	76 - 152	265	205	95	37
500	5.9	102 - 203	320	205	95	37
1000	6	76 - 152	270.3	203	98	38
1000	6.5	102 - 203	343.2	203	98	38
3000	12	76 - 152	286.3	260.1	121	67
3000	15	102 - 203	330.2	260.1	121	67
5000	31	102 - 254	451.4	311.2	162	89

## BEAM CLAMPS

- Range from 1.0T to 10.0T
- Multidirectional adjusting screw spindle for easy attachment and safe and secure grip
- 5:1 Safety factor
- Quick and versatile rigging point for hoisting equipment
- Wide Beam flange adjustment range
- Low headroom because of the built in anchor point
- Operating temperature of -50° to +50°



Capacity (Tonne)	Dimensions (mm)								Weight (kg)
	A	B	C	D	E	F	G	J	
1	75-210	182-328	77	26	190	144-117	52-38	20	4
2	75-210	182-328	85	26	190	144-117	52-38	20	4.5
3	75-305	214-460	107	35	240	224-179	58-40	22	8
6	75-305	214-460	121	35	240	224-175	58-40	28	10
10	120-350	295-510	182	36	300	222-171	71-54	43	24.5