



- **Container lifting lugs for top lifting**

**CLT**

**WLL 56 tonnes (per set of 4)**

**Columbus McKinnon Corporation Limited**  
Knutsford Way,  
Sealand Industrial Estate,  
Chester  
CH1 4NZ  
United Kingdom

Tel: +44 (0) 1244 375375  
Fax: +44 (0) 1244 377403  
Email: [sales.uk@cmco.eu](mailto:sales.uk@cmco.eu)  
Web: [www.cmco.eu](http://www.cmco.eu)



The personnel responsible for operation, maintenance or repair of the product must read, understand and follow these operating instructions.

The indicated protective measures will only provide the necessary safety, if the product is operated correctly and installed and/or maintained according to the instructions. The operating company is committed to ensure safe and trouble-free operation of the product.

## English

GB

### Model: CLT Container lifting lugs for top lifting WLL 56 tonnes

To suit standard ISO corner boxes.

#### INTRODUCTION

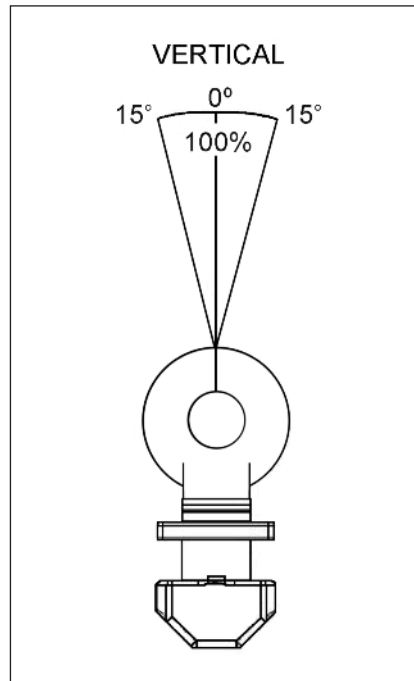
Products of Columbus McKinnon Corporation Limited have been built in accordance with the state-of-the-art and generally accepted engineering standards. Nonetheless, incorrect handling when using the products may cause dangers to life and limb of the user or third parties and/or damage to the hoist or other property.

The operating company is responsible for the proper and professional instruction of the operating personnel. For this purpose, all operators must read these operating instructions carefully prior to the initial operation.

These operating instructions are intended to acquaint the user with the product and enable him to use it to the full extent of its intended capabilities. The operating instructions contain important information on how to operate the product in a safe, correct and economic way. Acting in accordance with these instructions helps to avoid dangers, reduce repair costs and downtimes and to increase the reliability and lifetime of the product.

The operating instructions must always be available at the place where the product is operated. Apart from the operating instructions and the accident prevention act valid for the respective country and area where the product is used, the commonly accepted regulations for safe and professional work must also be adhered to.

#### CLT LOAD DIAGRAM



Model	Type of lift	WLL per set of 4 tonnes	Lifting eye dia. mm	Section dia. mm	Weight per set of 4 kgs
CLT	TOP	56	45	39	28

Further information and operating instructions are to be found at [www.camlok.co.uk](http://www.camlok.co.uk)

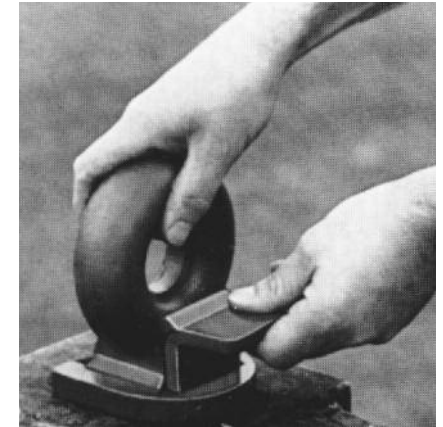
#### FITTING INSTRUCTIONS:

Self locking and suitable for shackling direct to 4 vertical slings. These lugs are used for lifting with a spreader frame and do not project over the container.

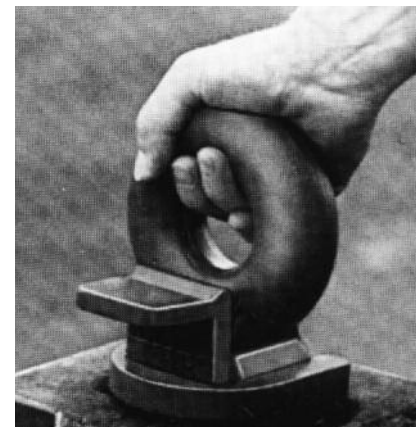
- DO NOT use with 4 leg slings



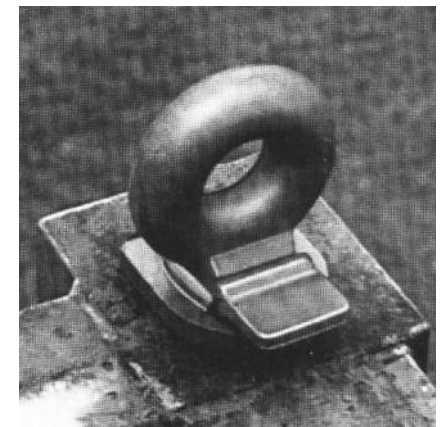
1) Offer the lug into the slot.



3) Turn the lug through 90°.



2) Enter the lug to its full depth.



4) The lug is now locked in its lifting position.

• REVERSE THESE OPERATIONS FOR THE REMOVAL OF THE LUGS