

The working load limit per set of 4 lugs is 32 tonnes at a maximum angle of inclination of 50° from vertical. The working load limit is 40 tonnes at maximum angle of inclination of 36° from vertical. The working load limit is 50 tonnes when used vertically.

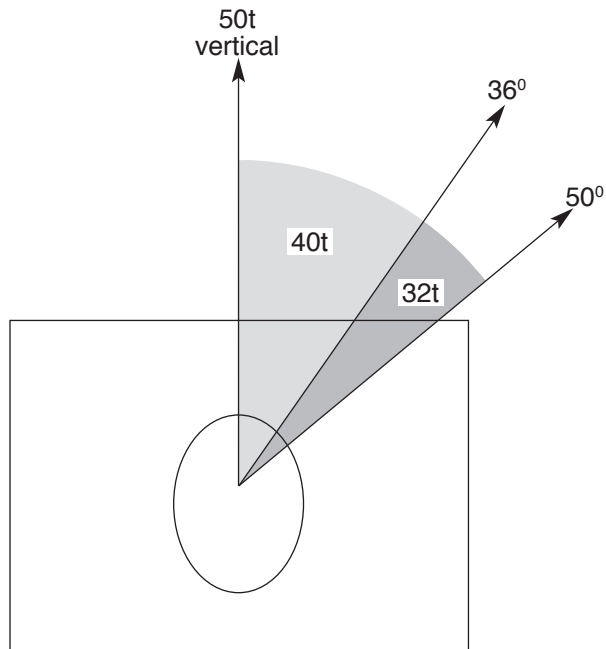
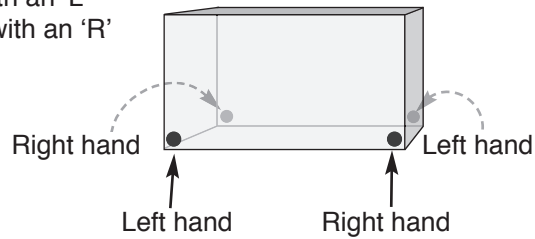
Check the marking on the lug. Each lug will be stamped with the maximum load and the angle of working for the set.

The degree of inclination permits the lifting of all but the largest containers with a simple beam.

These lugs cannot drop out when the slings become slack.

Lugs are handed left and right -

- Left hand lugs are marked with an 'L'
- Right hand lugs are marked with an 'R'



- **Container lifting lugs for bottom side lifting**

**CLB**

**WLL 32 - 50 tonnes**

**Columbus McKinnon Corporation Limited**  
Knutsford Way,  
Sealand Industrial Estate,  
Chester  
CH1 4NZ  
United Kingdom

Tel: +44 (0) 1244 375375  
Fax: +44 (0) 1244 377403  
Email: sales.uk@cmco.eu  
Web: www.cmco.eu



**Model: CLB**  
**Container lifting lugs for bottom side lifting**  
**WLL 32 - 50 tonnes**

To suit standard ISO corner boxes.

Type	WLL tonnes	Lifting sling angle °	Lifting eye diameter mm	Section size thick radiused mm	Section size deep radiused mm	Weight per set kgs
CLB	32	50°	45	40	38	18
CLB	40	36°	45	40	38	18
CLB	52	0°	45	40	38	18

**FITTING INSTRUCTIONS:**



1) Offer lug into slot. Left hand bottom side shown.



2) Enter lug to full extent.



3) Turn lug until spring bolt is fully engaged in slot.



4) Lug in lifting position.

• REVERSE THESE OPERATIONS FOR THE REMOVAL OF THE LUGS