



Model TCU



Model TCO



Container lifting lugs
model TCO



Container lifting lugs
model TCU

Container lifting lugs model TCO and model TCU

Capacity 32000 - 56000 kg

These container lifting lugs are offered in a set of 4 pieces with a total weight capacity of 56t.

The lugs serve as flexible attachment points for the transport of containers. Two types are available which can be fastened to either the "top" of the container or laterally.

Model TCO is vertically mounted in the hole at the top of the container. Turning the TCO 90°, locks it securely in place.

Transport is done with the use of a spreader beam in conjunction with wire rope, chain or textile slings making sure the load is suspended vertically.

Model TCU is mounted laterally on the container (in the upper or the lower part) and has a spring-loaded bolt to prevent an accidental release.

Transport is done with the use of a spreader beam in conjunction with wire rope, chain or textile slings up to the below mentioned angles from the vertical.

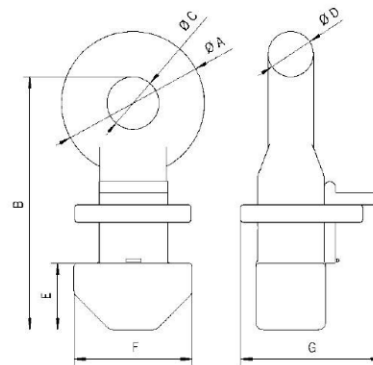
Technical data model TCO and model TCU

Model	EAN-No. 4025092*	Capacity** kg	Weight** kg	Angle from the vertical
TCU 32	*556927	32000	19.5	50°
TCU 40	*556927	40000	19.5	36°
TCO 56	*556965	56000	30.1	vertical

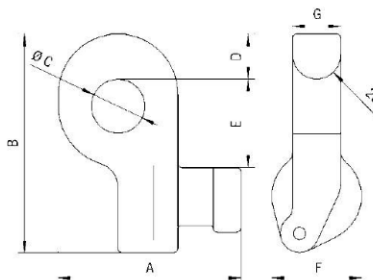
** set of 4 pieces

Dimensions model TCO and model TCU

Model	TCU 32	TCU 40	TCO 56
A, mm	152	152	123
B, mm	181	181	217
Ø C, mm	45	45	45
D, mm	37	37	39
E, mm	73	73	57
F, mm	75	75	101
G, mm	40	40	121



Model TCO



Model TCU