

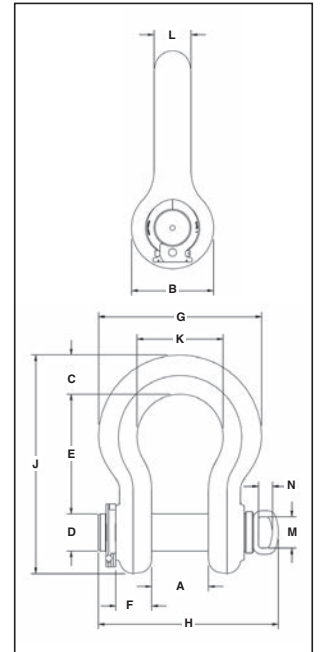
# Crosby® Alloy Easy-Loc® Shackles



## G-2140E

G-2140E meets the performance requirements of Federal Specification RR-C-271F, Type IVA, Grade B, Class 3, except for those provisions required of the contractor. For additional information, see page 452.

- Quenched and Tempered.
- Alloy bows, Alloy bolts.
- Forged Alloy Steel 200 thru 300 metric tons. Meets performance requirements of Grade 8 shackles.
- Working Load Limit is permanently shown on every shackle.
- 200, 250, and 300 metric ton shackle bows are Dimetcoted®; pins are Dimetcoted and painted red.
- Sizes 1-1/2 and larger are **RFID EQUIPPED**.
- Approved for use at -40 degrees C (-40 degrees F) to 204 degrees C (400 degrees F).
- Shackles are Quenched and Tempered and can meet DNV impact requirements of 42 joules (31 ft-lbs.) at -20 degrees C (-4 degrees F).
- All sizes are individually proof tested to 2.0 times the Working Load Limit.
- Refer to page 88 for Crosby COLD TUFF® shackles that meet the additional requirements of DNV rules for certification of lifting applications - Loose Gear.
- Shackles are provided as follows:
  - Serialized bolt and bow
  - Material certification (chemical)
  - Magnetic particle inspected.
  - Certification must be requested at time of order.
- Meets or exceeds all requirements of ASME B30.26 including identification, ductility, design factor, proof load and temperature requirements. Importantly, these shackles meet other critical performance requirements including impact properties and material traceability, not addressed by ASME B30.26.
- Type Approval certification in accordance with ABS 2007 Steel Vessel Rules 1-11-17.7 and ABS Guide for Certification on Cranes available. Certificates available when requested at time of order and may include additional charges.
- Look for the Red Pin® . . . the mark of genuine Crosby quality.



Shackles



**SEE APPLICATION INFORMATION**

On Page 92 of the General Catalog  
Para Español: [www.thecrosbygroup.com](http://www.thecrosbygroup.com)

## G-2140E Crosby® Alloy Easy-Loc Shackles

Nominal Shackle Size (in.)	Working Load Limit (t)*	Stock No.		Weight Each (lbs.)	Dimensions (in.)														Tolerance +/-	
		G-2140E	S-2140E		A	B	C	D +/- .02	E	F	G	H	J	K	L	M	N	A	E	
4-3/4	† 200	1021475	—	458	7.25	10.50	5.00	4.75	15.19	4.58	20.84	23.01	27.81	11.00	4.75	4.00	1.80	0.25	0.25	
5	† 250	1021484	—	597	8.50	12.00	5.63	5.00	18.50	4.48	23.63	23.84	32.63	13.00	5.00	4.00	1.80	0.25	0.25	
6	† 300	1021493	—	791	8.38	13.00	6.06	6.00	18.72	4.89	24.76	25.01	34.28	13.00	5.88	4.00	1.80	0.25	0.25	

\* Note: Maximum Proof Load is 2.0 times the Working Load Limit. For sizes 30 thru 175 metric tons, Minimum Ultimate Load is 5 times the Working Load Limit for 200 thru 400 metric tons, Minimum Ultimate Load is 4 times the Working Load Limit. † Furnished with Round Head Bolts with an eyebolt for handling. For Working Load Limit reduction due to side loading applications, see page 94.