

# Crosby® IP Clamps – Misc.

## IPSC



The IPSC screw style clamp is for positioning, pulling and turning of plate and fabrications.

**Suitable for use in positioning & turning of steel plates and sections.  
Not to be used as a lifting clamp.**

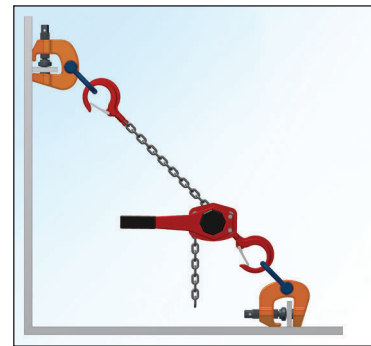
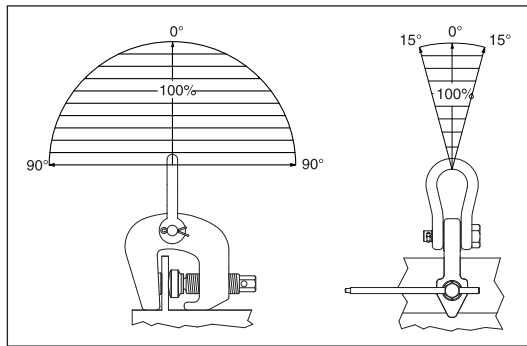
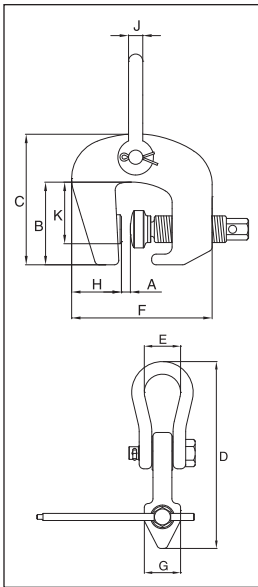
- Available in capacities of 1.5 and 3 metric tons.
- Jaw openings available: 0 to 50mm.
- Suitable for steel with a surface hardness up to 30 Rc.
- Forged alloy steel body for strength and smaller size. Forged alloy components, where required.
- Individually Proof Tested to 2 times the Working Load Limit with certification.
- Company name (CrosbyIP), logo, Working Load Limit and jaw opening permanently stamped on body.
- Each product is individually serialized, with the serial number and Proof Load test date stamped on body. Serial number is included on the test certificate with maintenance and warranty logbook.
- Maintenance replacement parts are available.
- Manufactured by a ISO 9001 facility.

**Load Rated**

## Model IPSC

Model	Working Load Limit (t)*	IPSC Stock No.	Weight Each (kg.)	Dimensions (mm)									
				Jaw A	B	C	D	E	F	G	H	J	K
IPSC	1.5	2701640	4.0	0 - 32	91	143	229	45	154	46	52	16	52
IPSC	3	2701641	6.0	0 - 50	105	165	265	50	190	54	59	19	60

\* Design Factor based on EN 13155 and ASME B30.20.



**Provides easy attachment of selected Crosby® IP clamp to hoist hook.**

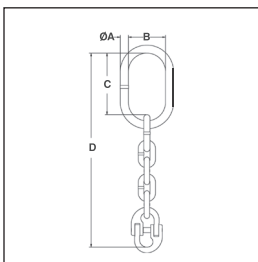
- Available in three sizes in the IP10 and IPU10 with capacities from .5 to 12 metric tons.
- Assembly consists of welded alloy master link, Grade 80 chain and A-1337 Lok-A-Loy for attachment to the clamp hoisting eye.
- Individually Proof Tested to 2.5 times the Working Load Limit of Grade 80 chain with certification.
- Company name or logo and frame number permanently stamped on link.
- Locking system provides for simple assembly - no special tools needed.
- Finish - Red Paint.
- Manufactured by a ISO 9001 facility.

**NOTE: Not intended to be used as a chain sling.**

## IP5000



The IP5000 Stinger Assembly is designed to be used as a connecting link between the clamp and the hoist hook.



## Model IP5000

Frame Size	Chain Size		Crosby® IP10 and IPU10 Clamp Sizes (t)*	IP5000 Stock No.	Weight Each (kg.)	Dimensions (mm)			
	(mm)	(in.)				A	B	C	D
1	8	5/16	0.5 - 1	2701695	.95	13.0	59.9	100	315
2	13	1/2	2 - 4.5	2701704	3.4	22.1	89.9	144	484
3	22	7/8	6 - 12	2701713	14.7	36.1	140	234	820

\* The working load of the assembly is based on working load limit of the selected clamp. Ultimate load is 5 times the Working Load Limit.